

Phoenix **Thermal** Supply

Precision Centigrade Temperature Sensor

This sensor probe utilizes a dual precision integrated-circuit temperature sensor, whose output voltage is linearly proportional to the Celsius temperature.

This sensor does not require any external calibration or trimming to provide typical accuracies of $\pm 1/4^{\circ}\text{C}$ at room temperature or $\pm 3/4^{\circ}\text{C}$ over a full -55 to 150°C temperature range. This sensor includes a Molex 4-pin connector.

Design Features:

- Calibrated directly in $^{\circ}\text{C}$
- Linear $+10.0\text{mv}/^{\circ}\text{C}$ scale factor
- $\pm 1/4^{\circ}\text{C}$ accuracy (at 25°C)
- Rated to full -55°C to 150°C range
- Suitable for remote applications
- Operates from 4 to 30 volts
- Less than $60\mu\text{A}$ current drain
- Low self-heating, 0.08°C in still air
- Nonlinearity only $\pm 1/4^{\circ}\text{C}$ typical
- Low impedance output, 0.1Ω for 1mA load

This Sensor is available in other designs and configurations. Consult PTSHEAT with your requirements.



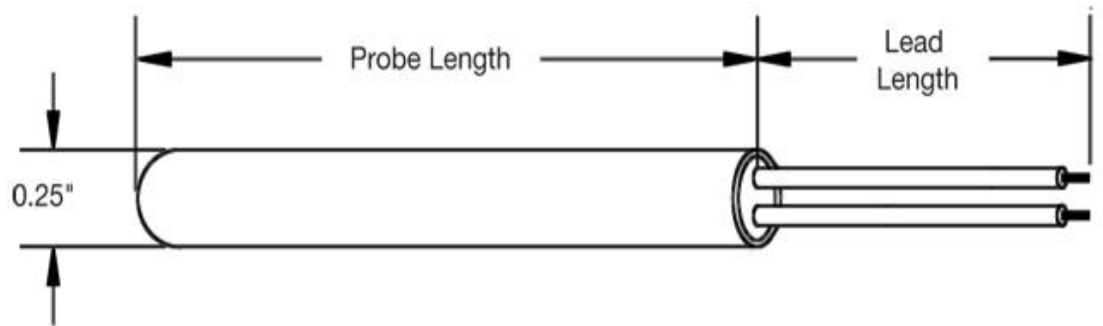
Part Number: STS00001

2000 Ohm RTD Sensor

This sensor probe is a fast responding 2000 ohm RTD sensor used widely in the HVAC, appliance and automotive industries. Sensor is protected in a 316 SS housing and supplied with 22 ga. Teflon® leads.



Phoenix **Thermal** Supply



Design Features:

- 2000 ohm nominal resistance at 20°C
- Accurate to $\pm 0.7^\circ\text{C}$ at 20°C
- Near linear temperature sensitivity; provides $8\Omega/^\circ\text{C}$ sensitivity
- $\pm 3\%$ max. linearity (can be linearized to $\pm 0.2\%$)
- Long term stability
- Interchangeable without sensor-to-sensor recalibration
- Operating temperature range of -40 to $+150^\circ\text{C}$

Part Number	Probe Length	Lead Length
STS00002	8"	10-1/2"
STS00003	4"	13"

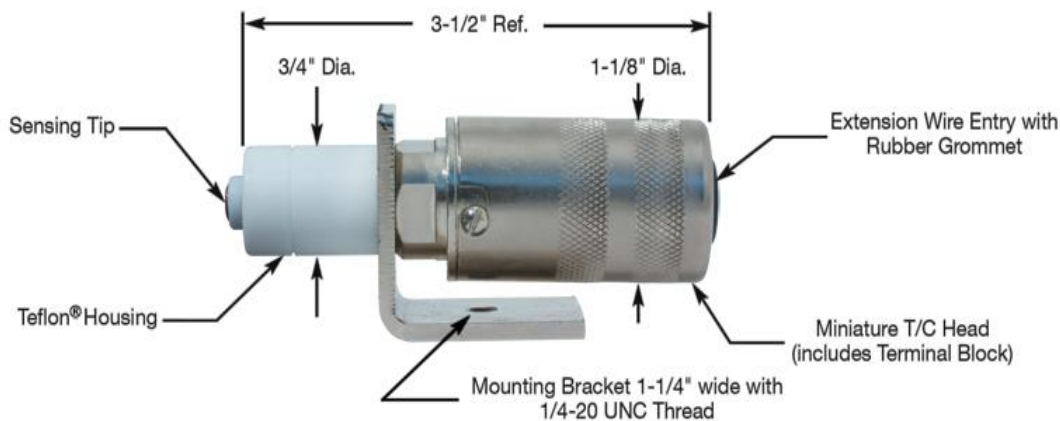
This type of sensor is also available in other designs and configurations. Consult PTS with your requirements.

Phoenix **Thermal** Supply

Special Application Thermocouples

Spring-Loaded Surface Contact Thermocouple

This Type J thermocouple is used to sense the temperature of moving drums or rollers. Spring-loaded tip provides free movement and proper contact of the sensing tip. The sensing tip is made of copper for fast response time. Thermocouple wires are terminated in a miniature connection head and connected to a terminal block. This thermocouple can be operated up to 500°F (260°C).



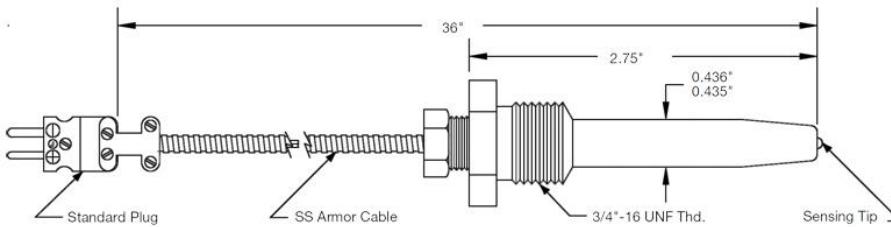
Part Number: TCP90185

Type J calibration; consult PTSHEAT for other calibrations.

Phoenix Thermal Supply

Compound Mixer Thermocouple

This Type J thermocouple is used in mixers and pelletizers. The body is made of 416 SS. The ungrounded junction, and sensing tip, is isolated from the body with a high temperature thermal barrier to ensure accuracy. Maximum Operating Temperature 750°F (400°C).



Part Number: TCP90231

****Our engineers are factory trained to answer any questions that you may have****

Sales@ptsheat.com

**Dave Farmery
Ben Midulla**



Toll Free Phone/Fax

**844-787-4328
844-PTSHEAT**

www.PhoenixThermalSupply.com