

Temperature Controllers



Model TEC-9100 1/16 DIN

Model TEC-9100 1/16 DIN Temperature Controller



Configurable for 4 Programmable Outputs and optional NEMA 4X/IP65 Front Panel!

Ordering Code:

Design Features

- * 1/16 DIN size – 48 mm × 48 mm
- * Fuzzy Logic PID heat and cool control
- * PID Control – Auto-tuning on cold or warm start
- * Short panel depth – only 4-1/8" (105 mm) required
- * Universal programmable sensor input
- * Highly versatile – 6 types of output available
- * Output 2 can be programmed as output or alarm
- * Universal input power – 90-250 VAC or 11-26 VAC/VDC
- * Highly accurate universal input
- * Optional NEMA 4X/IP65 front panel
- * Bumpless transfer to manual mode during sensor failure
- * Wide variety of alarm mode selections
- * Optional RS-232 or RS-485 communications interface
- * Bright 0.40" (10 mm) red LED process display 0.31" (8 mm) green LED setpoint display
- * High performance at a very low price
- * Agency Approvals: RoHS



List Prices Starting at
\$170.00
Quantity Discounts Available!

TEC-9100-

Power Input BOX 1

- 4 = 90-250 VAC
- 5 = 11-26 VAC / VDC
- 9 = Other

Alarm BOX 5

- 0 = None
- 1 = Relay: 2A / 240 VAC, SPDT
- 9 = Other

Signal Input— Universal, can be programmed in the field for item 5 or 6 BOX 2

- 5 = Thermocouple: *J, K, T, E, B, R, S, N, L 0-60mV
 - 6 = RTD: *PT100 DIN, PT100 JIS
 - 7 = 0-1 VDC
 - 8 = *0-5, 1-5 VDC
 - A = 0-10 VDC
 - B = *4-20, 0-20 mA
 - 9 = Other
- * indicates default value

Communication BOX 6

- 0 = None
- 1 = RS-485 Interface
- 2 = RS-232 Interface
- 3 = Retransmission 4-20 mA (default), 0-20 mA
- 4 = Retransmission 1-5 VDC (default), 0-5 VDC
- 5 = Retransmission 0-10 VDC
- 9 = Other

Output 1 BOX 3

- 1 = Relay: 2A / 240 VAC
- 2 = Pulse dc for SSR drive: 5 VDC (30 mA max)
- 3 = Isolated, 4-20 mA (default), 0-20 mA
- 4 = Isolated, VDC, 1-5 (default), 0-5, 0-1
- 5 = Isolated, VDC, 0-10
- 6 = Triac-SSR output 1A / 240 VAC
- C = Pulse DC for SSR drive: 14 VDC (40 mA max)
- 9 = Other

Case Options BOX 7

- 0 = Panel mount standard
- 1 = Panel mount with NEMA 4X/IP65 front panel
- 2 = DIN rail mount adapter



Note: Detailed information on features common to digital microprocessor-based TEC temperature controls and the complete Table of Input Range and Accuracy can be found on page 13-46.

Output 2 BOX 4

- 0 = None
- 1 = Relay: 2A / 240 VAC
- 2 = Pulse DC for SSR drive: 5 VDC (30 mA max)
- 3 = Isolated, 4-20 mA (default), 0-20 mA
- 4 = Isolated VDC, 1-5 (default), 0-5, 0-1
- 5 = Isolated VDC, 0-10
- 6 = Triac-SSR output 1A / 240 VAC
- 7 = Isolated 20V @ 25 mA DC, Output Power Supply
- 8 = Isolated 12V @ 40 mA DC, Output Power Supply
- 9 = Isolated 5V @ 80 mA DC, Output Power Supply
- C = Pulse DC for SSR drive: 14 VDC (40 mA max)
- A = Other

Ordering Information

Model TEC-9100 is offered with the options listed in the worksheet above. Create an ordering code by filling in the boxes with the appropriate number and/or letter designation for your requirements and a part number will be assigned, or choose from the part numbers listed.

Standard lead time is stock to 2 weeks.



Temperature Controllers

Model TEC-9100 Specifications (1/16 DIN)

Power Input

Standard: 90-250 VAC, 47-63 Hz, 10 VA, 5W maximum
Optional: 11-26 VAC / VDC, 10 VA, 5W maximum

Signal Input

Resolution: 18 bits **Sampling Rate:** 5 samples / second
Accuracy: $\pm 0.24\%$ of span typical
Maximum Rating: -2 VDC minimum, 12 VDC maximum (1 minute for mA input)
Temperature Effect: $\pm 1.5 \mu\text{V} / ^\circ\text{C}$ for all inputs except mA input
 $\pm 3.0 \mu\text{V} / ^\circ\text{C}$ for mA input
Sensor Lead Resistance Effect: T/C: $0.2 \mu\text{V}/\text{ohm}$
 3-wire RTD: $2.6^\circ\text{C}/\text{ohm}$ of resistance difference of two leads
Burn-out Current: 200nA
Common Mode Rejection Ratio (CMRR): 120 dB
Normal Mode Rejection Ratio (NMRR): 55 dB
Sensor Break Detection: Sensor open for TC, RTD and mV inputs; sensor short for RTD input; below 1 mA for 4-20 mA input; below 0.25V for 1-5V input; unavailable for other inputs
Sensor Break Response Time: Within 4 seconds for TC, RTD and mV inputs; 0.1 second for 4-20 mA and 1-5 V inputs

Output 1 / Output 2

Relay Rating: 240 VAC, 2 Amp
Pulsed Voltage: Source voltage 5V, Current limiting resistance 66 Ω

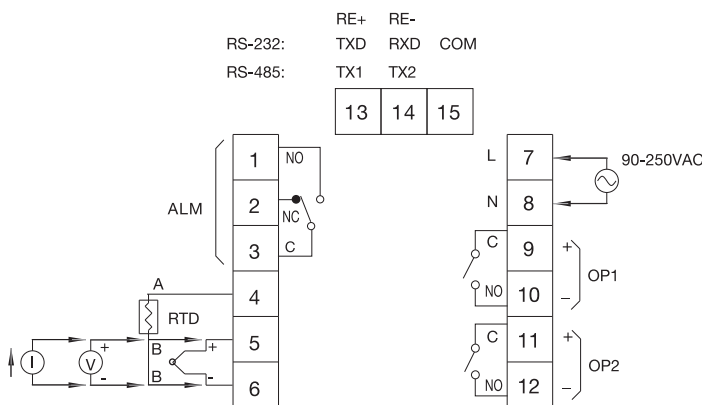
Linear Output — Characteristics			
Type	Zero	Span	Load
Tolerance	Tolerance	Capacity	
4-20 mA	3.6-4.0 mA	20-21 mA	500 Ω max
0-20 mA	0 mA	20-21 mA	500 Ω max
0-5 VDC	0 VDC	5-5.25 VDC	10 K Ω min
1-5 VDC	0.9-1.0 VDC	5-5.25 VDC	10 K Ω min
0-10 VDC	0 VDC	10-10.5 VDC	10 K Ω min

Resolution: 15 bit analog to digital converter
Output Regulation: 0.02% for full load change
Output Settling Time: 0.1 sec. (stable to 99.9%)
Isolation Breakdown Voltage: 1000 VAC
Temperature Effect: $\pm 0.01\%$ of span/ $^\circ\text{C}$

Solid State Relay (Triac) Output

Rating: 1A / 240 VAC
Inrush Current: 20A for 1 cycle
Min. Load Current: 50 mA rms
Max. Off-state Leakage: 3 mA rms
Max. On-state Voltage: 1.5 VAC rms
Insulation Resistance: 1000 Megohms minimum at 500 VDC
Dielectric Strength: 2500 VAC for 1 minute

Rear Terminal Connections



Output 2 / Alarm 1 — Programmable

Alarm 1 Relay: Form A, (NO)
 Maximum rating: 240 VAC, 2 Amp

Alarm Functions: Dwell timer
 Deviation High / Low Alarm
 Deviation Band High / Low Alarm
 Process High / Low Alarm
 Sensor Break Alarm

Alarm Mode: Normal, Latching, Hold, Latching / Hold
Dwell Timer: 0 - 4553.6 minutes

Data Communications

Interface: RS-232 (1 unit), RS-485 (up to 247 units)
Protocol: Modbus Protocol – RTU mode
Address: 1-247 **Baud Rate:** 0.3 - 38.4 Kbits/sec
Data Bits: 7 or 8 bits **Parity Bit:** None, Even or Odd
Stop Bit: 1 or 2 bits **Communication Buffer:** 160 bytes

User Interface

Dual 4-digit LED Display: 0.40" (10 mm) Red Process Display
 0.31" (8 mm) Green Setpoint Display

Keypad: 4 keys

Programming Port: For automatic setup, calibration and testing

Control Mode

Output 1: Reverse (heating) or direct (cooling) action
Output 2: PID cooling control, cooling P band 50-300% of PB, dead band -36.0 to 36.0% of PB
On-Off: 0.1 - 90.0 $^\circ\text{F}$ hysteresis control (P band = 0)
P or PD: 0 - 100.0% offset adjustment
PID: Fuzzy logic modified
Proportional band: 0.1 - 900 $^\circ\text{F}$
Integral time: 0 - 1000 seconds
Derivative time: 0 - 360 seconds
Cycle Time: 0.1 - 90 seconds
Manual Control: Heat (MV1) and Cool (MV2)
Auto-tuning: Cold start and warm start
Failure Mode: Auto-transfer to manual mode with sensor break or A-D converter damage
Ramping Control: 0 - 900 $^\circ\text{F}/\text{min}$ or 0 - 900 $^\circ\text{F}/\text{hr}$ ramp rate

Environmental and Physical

Operating Temperature: 14 to 122 $^\circ\text{F}$ (-10 to 50 $^\circ\text{C}$)
Humidity: 0 to 90% RH, non-condensing
Dielectric Strength: 2000 VAC, 50/60 Hz for 1 minute
Dimensions: 1-7/8 \times 1-7/8 \times 4-9/16" (48 \times 48 \times 116 mm) H \times W \times D
 Depth behind panel: 4-1/8" (105 mm)
Panel Cutout: 1-25/32 \times 1-25/32" (45 \times 45 mm) H \times W
Weight: 0.33 lb. (150 grams)

Approval Standards

Safety: UL61010C-1, CSA C22.2 No. 24-93
 EN61010-1 (IEC1010-1)
EMC: EN61326
Protective Class: Front Panel: IP50, optional NEMA 4X/IP65
 Housing and Terminals: IP 20

Stock and Common Part Numbers

(Power Input: 90-250 VAC, no data com, no NEMA 4X)

Part Number	Signal Input	Output 1	Output 2	Alarm
TEC14001	tc	relay	relay	none
TEC14002	tc	relay	none	none
TEC14003	tc	relay	none	relay
TEC14004	tc	4-20 mA	none	none
TEC14005	RTD	relay	none	none
TEC14006	RTD	relay	none	relay
TEC14007	RTD	DC pulse	none	none
TEC14008	RTD	DC pulse	none	relay